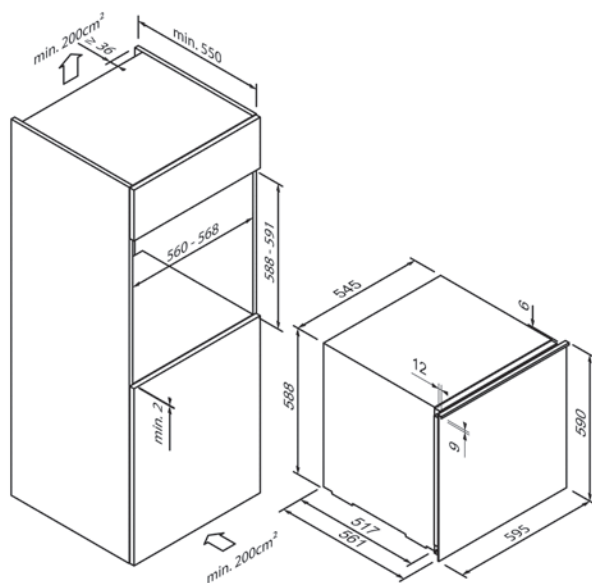




5WK630FF0

EG017900



Design	
Colour	Black glass
Version	Built-in appliance for a 60 cm wide tall unit
Height (in cm)	60

Output & consumption	
Energy consumption per year (in kWh)	99
Total useful capacity (in litres)	63
Noise level (in dB A) re 1 pW	35

Operating comfort & equipment	
Operation	Touch Control
Door opening	Handle strip
Display / Colour	Digital / White
Interior lighting	LED
UV protective glazing	•
Anti-vibration system	•
Acoustic door alarm	•

Refrigeration compartment	
Temperature zones	2
Temperature setting, upper zone	5°C-20°C
Temperature setting, lower zone	5°C-20°C
Solid wood shelves	3
Capacity / bottles 0,75 litres each	23

Technical data	
Energy efficiency class	F
Fixed door technology / sliding door technology	• / -
Door hinge	Right, changeable
Connected load	90W/220-240V V
Fuse protection (in A)	1,2 A
Frequency (in Hz)	50 Hz
Plug type	Type F
Length of connection cable (in cm)	120 cm
Net weight (in KG)	42 kg
Gross weight (in KG)	44 kg
Dimensions of the packaged appliance (H x W x D)	
Appliance dimensions (H x W x D)	59,0 x 59,5 x 56,1 cm
Recess dimensions (H x W x D)	59,0 x 56,0 x 55,0 cm
EAN	4251003109115