

BLAUPUNKT



5GB92290AU
90 cm, self-sufficient gas hob, Black tempered glass

Equipment:

- One-handed operated electric spark ignition
- Round front control knob
- pot carrier: cast iron

Performance and size:

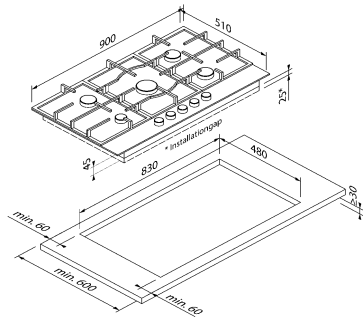
- Connected load gas: 8,1 kW
- 4 steplessly adjustable gas cooking plates
- 1 strong, 2 normal, 1 economy burner
- Front left: Triple burner 1,0 kW
- Back left: Standard burner 3,6 kW
- Rear right: Standard burner 1,75 kW
- Front right: Economy burner 1,75 kW

Environment and safety:

- Thermoelectric ignition fuse (protection against unintentional escape of gas)
- Preset to natural gas (20mbar)

Dimensions:

- Installation dimensions: (H/W/D) 45mm x 560mm x 490mm
- Device dimensions: (H/W/D) 90mm x 590mm x 510mm
- min. worktop thickness: 30mm
- Connecting cable 100cm



EAN-Nr.: 4251003107449

Special accessories:

Nozzle set liquid gas

Available colour variations:

Accessories:

injector(For G31)
hose couple(For G31)

Features:

Type of appliance: Gas hob
Type: Built-in
Energy source: Gas
Number of cooking zones that can be used simultaneously: 5
Control elements: round control knobs
Niche dimensions (mm): 900*510*99
Unit width (mm): 582
Dimensions (packed device mm): 978*582*177
Net weight (kg): 16.74
Gross weight (kg): 19.17
Residual heat display: None
Control position: front
Type of control: knob control
Main surface material: Black tempered glass
Surface colour: Black tempered glass
Frame colour: Black tempered glass
Approval certificates: IAPMO+SAA
Length of connecting cable (cm): 100 Material control elements: plastic
Sealed hob: No
Heaters with booster:
Type of pot support: Cast iron

Consumption and connection values:

Power consumption (W): 2
Gas connected load (W): 11.44 kW (41.2MJ/h)
Fuse protection (A): -
Voltage (V): 220-240
Frequency (Hz): 50 - 60
Device colour: Black tempered glass
Energy source: Gas
Type of gas: Natural gas G20 10mbar
Alternative gas type: Liquid gas G31 27.5mbar
Approval certificates: IAPMO+SAA

Minimum distance from counter front (in):
Minimum distance from rear wall (in):