



Instructions for installation and use

Cooker Hood
5IL66261

Content

Structure.....	1
Specification.....	1
Installation.....	2
Function Operation.....	6
Attentions.....	7
Maintenance.....	8
Common faults and solutions.....	9

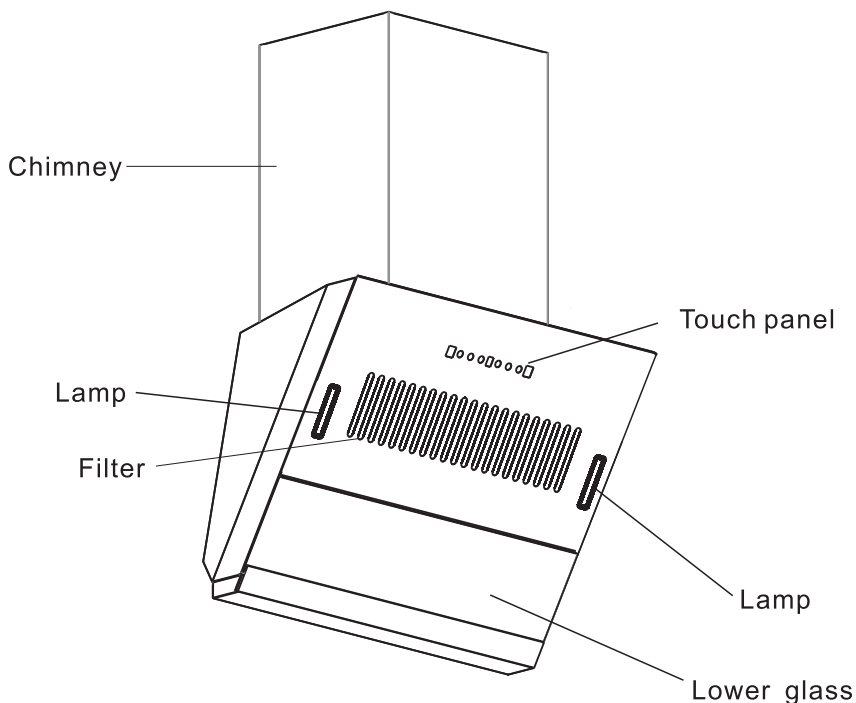
Foreword

Dear Customers,

Thank you for choosing our range hood. Please read the instruction manual carefully before using. It introduces the range hood's function, characters, installation, maintenance and etc. Please keep this manual with purchase invoice carefully for checking in the future.

(Pictures in the manual are for reference only. Please refer to the real product)

Structure



Specification

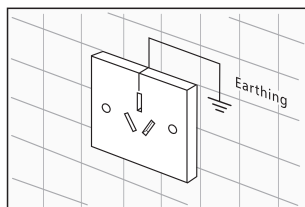
Rating Voltage	Rating Frequency	Motor Power	Light Power
AC220-240V	50 Hz	200W	2*1.5W
AC220-240V	50 Hz	230W	2*1.5W

Note: all specifications are subject to real product.

Installation

1. Installation

Please do not contact the steel and wires inside the wall in order to avoid electric shock.



- The range hood must have earthing. It has a 3-pin plug. The plug must be connected to a socket with earthing. The earthing could offer an electricity circuit to avoid electric shock in case of electricity leakage.
- Please make sure the electricity supply system in your home (current, voltage, connecting wires) can meet the requirements of range hood's normal supply load.
- Please do not use high capacity fuse in electrical circuit and select the correct ones as required on rating label.

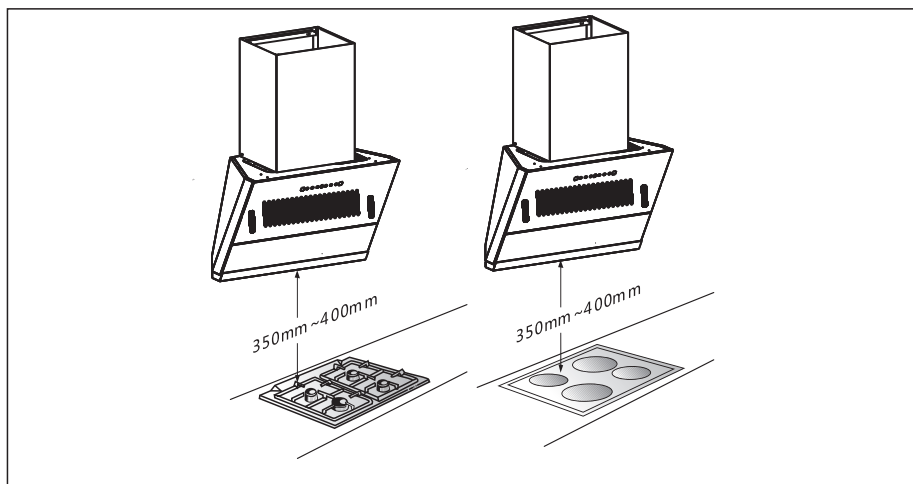
2. Preparation and confirmation before installation

① Wall strength

The wall that the range hood is placed must be hard enough to bear the weight of range hood.

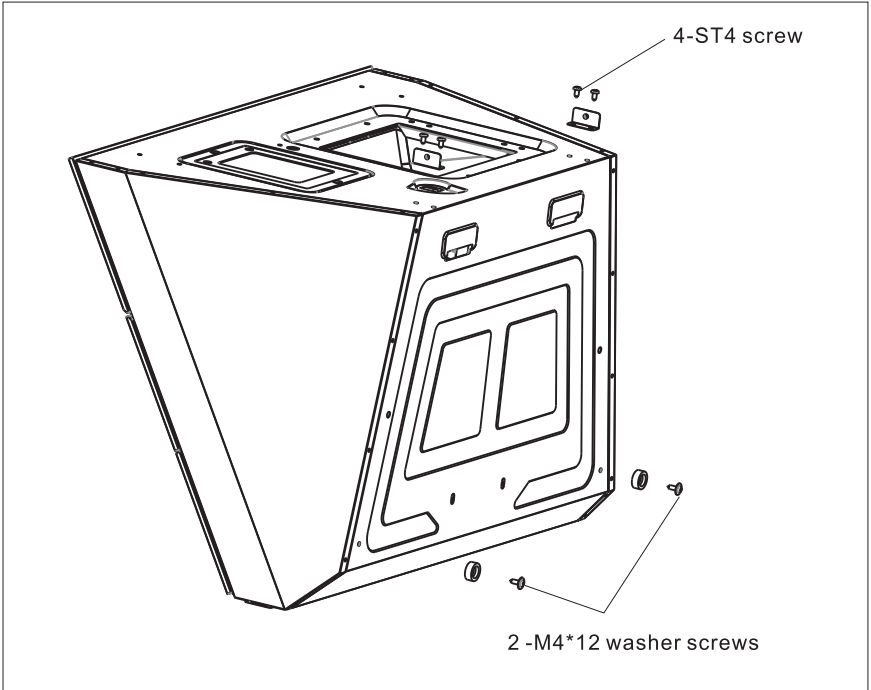
② Height of mounting

The suitable height of mounting shall be 350-400mm above the cooking stove. The real installation height is subject to the construction of kitchen and user's height. The installation instruction of gas stove has given the suitable installation distance, please take it into consideration.



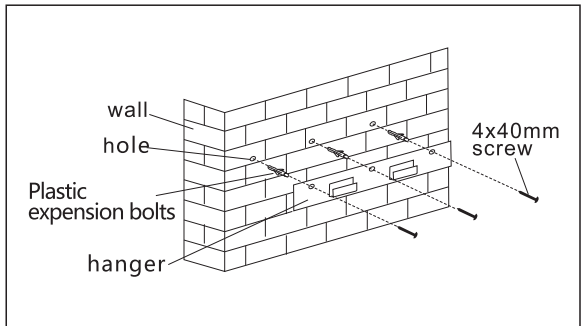
③ Before mounting the hood to the wall

1. Install the fixing plate to the certain position of chimney by using 4-ST4 screws.
2. Install the two dampers to the certain position of chimney by using 2-M4*12 washer screws.



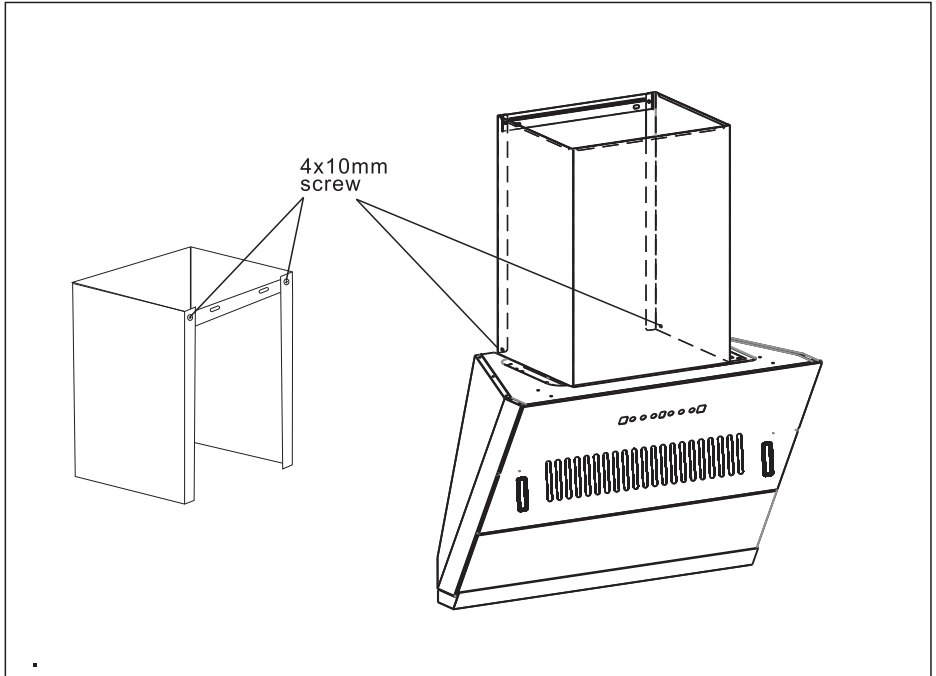
3. Install the fixing hanger

Measure the installing height of the fixing hanger first, and then make a mark of the hook holes on the wall. And then drill holes, place inflatable colloidal particles into them, and install the fixing hanger.



4. Install the chimney cover

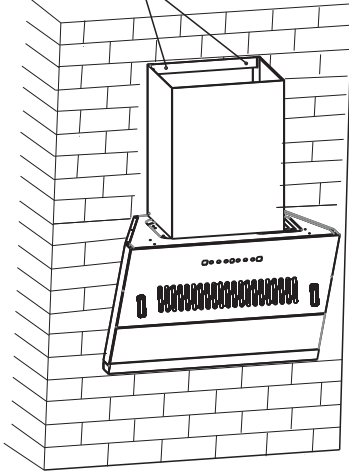
Lock the hang board and chimney cover by two pieces of tapping screws (4*10mm). And then install the chimney cover to the top of hood. Finally, install two pieces of tapping screws (4*10mm) on the side of chimney cover.



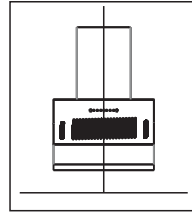
5 Install the hood (a single chimney cover)

The hood should be aligned to the fixing hanger on the wall (pay attention that hood's horizontal and vertical status). And then put down the hood-drill holes on every marked place-place inflatable colloidal particles-hang the hood-lock the hang board by 4*40mm tapping screws.

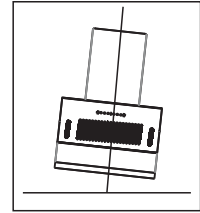
4x10mm
screw



Note: Make sure the range hood is hanging vertically and horizontally. Do not hang it on in the tilt way.



✓



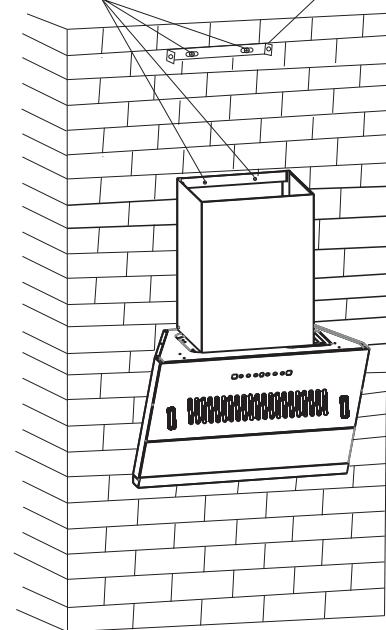
X

6.Product installation (single hood)

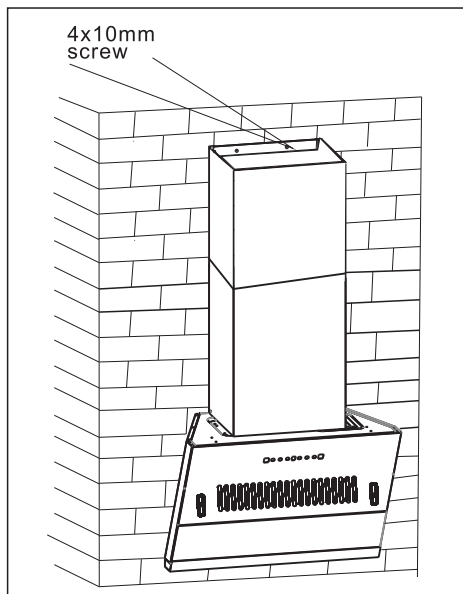
- Aim at the hanger and hang the range hood up on the wall. Mark the position of hanger and two screws on body.

4x40mm
tappingscrew

Upper hanger

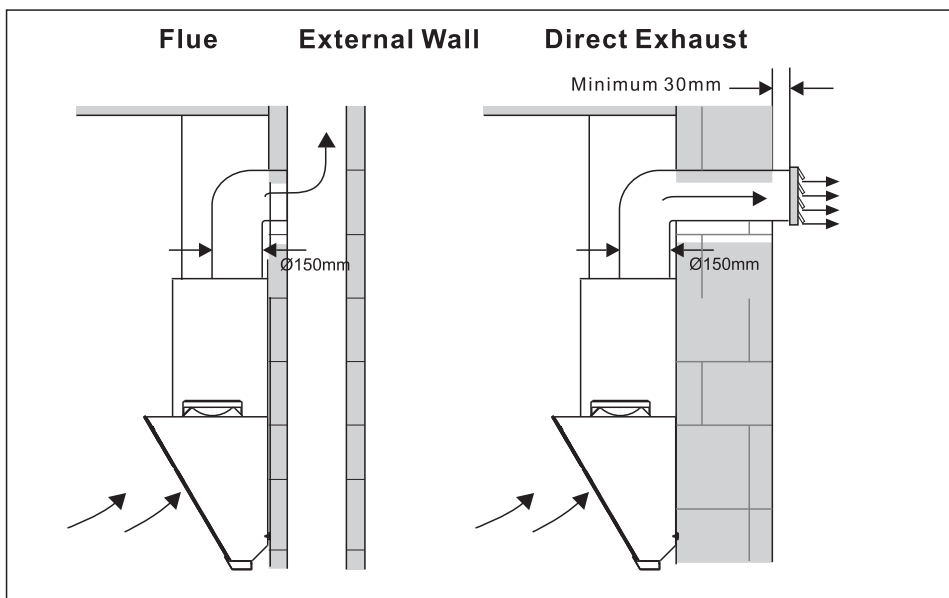


- Put down the range hood--- drill holes on the marks as mentioned above---Insert plastic expansion bolts in the holes---Hang the range hood up---Fix hanger with screws (4*40mm screws) ---Fix the product within the body by two screws---Connect the other end of exhaust pipe to air outlet.



7.Exhaust pipe connecting to the wall outside

The other head of exhaust pipe shall be connected to the flue or the hole of the external wall (diameter of hole shall be 85mm) .

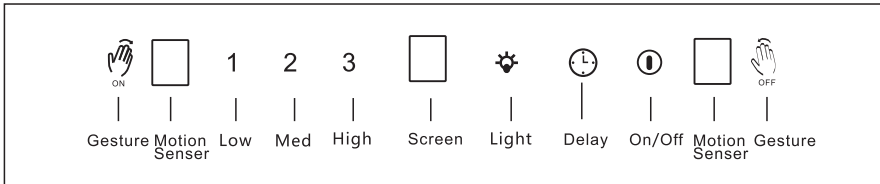
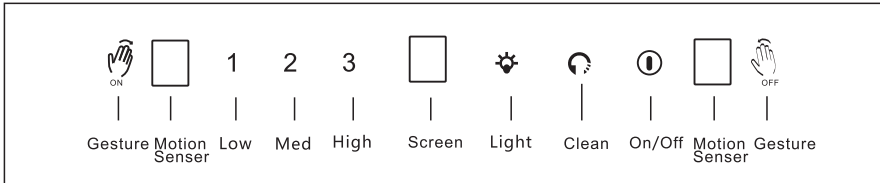


8. Confirmation of installation

After installation, connect to power supply and turn on the range hood. Check if all functions of range hood are working normally; no abnormal vibration and no resistance to leaves of air outlet.

Function Operation

1. Control Panel (subject to the real product)



Attention

- Voltage and frequency must be complied with requirements of product. Supply socket must have reliable earthing.
- Make sure the installation of product is not connected to the steel and wires inside the wall in order to avoid electric shock.
- The wall must have sufficient strength to support the weight of range hood.
- Range hood shall be installed in horizontal level.
- The distance between exhaust hole and air outlet on the wall shall be less than 1.5m. When install the exhaust pipe, the air outlet shall not be too high to avoid oil flowing backwards.
- Rang hood shall be used when gas or other fuels burning. The room must be well ventilated.

- Do not bark rang hood directly. Gas burning without cooking or burning on the pan is forbidden.
- The air exhaust from range hood should not be exhausted to the flue of burning gas or other fuels.
- In case power cord is damaged, it shall be repaired by professional personnel or sent back to the appointed maintenance centre of our company for repair.
- Power supply must be cut off before changing lamps. New lamps must be the same specification as the current ones.
- Clean the oil on filter regularly. And clean the oil on wind wheel and volute or other components if necessary. If not follow the instruction in manual to clean range hood, it might cause fire hazard.
- Wear rubber gloves when clean range hood in order to prevent the injury of metal.
- It should be careful when clean the impeller to prevent deformation of impeller or rubbing off the counterweight, which might affect the balance, cause noise and vibration.
- It is strictly to prevent water seepage into switches, motor, lamps and other electric components when clean range hood.
- Non professional personnel are forbidden to change the internal wiring.

Maintenance

Maintenance

1.Suggestion

- Clean the surface of shell every three days.
- Clean the oil on filter regularly.
- Full maintenance shall be done every half year. It should not be implemented by non professional personnel.

2.When doing internal maintenance, the following steps shall be followed:

- Shut off power supply.
- Take off filter and cleaned by soft brush. Put it back in place after drying for next maintenance.
- Pull out smoke cover oblique upwards. Unscrew air inlet cover and air frame and take it off. Loosen the knob clockwise. Hold the wheel axle and pull out the impeller. Immerge the impeller into cleaning fluid around 10 minutes. Clean the oil on impeller with soft brush. Non professional personnel are not allowed to implement.
- Put impeller back in place. Tighten the knob counter clockwise. Then install air inlet board, air inlet cover and smoke cover in order.

To keep the range hood working in good condition for long term, please keep maintenance regularly.

Common faults and solutions

If there are any abnormal phenomenon happen during operation, please stop using and unplug power cord and check the faults. Non professional persons are not allowed to dismantle the machine. The common faults and solutions are as following:

Fault	Reason	Solution
Lamp not on, but motor is working	Poor wire connection	Repair or change the wires
	Lamp is damaged	Change the lamp
	Poor connection between lamp and socket	Repair or change
	The quartz lamp transformer burns out	Change transformer
Lamp is not on and motor isn't working	Poor connection between plug and socket	Repair or change
	Power cord is broken	Change the power cord
	Fuse of power board is broken	Change fuse
Lamp is on, motor is not working	Thermal cutout of motor is working	Wait for a while and turn on again
	Condenser burns	Change the condenser
	Motor burns	Change the motor
	Faults of power board and control board	Contact maintenance center
Strong vibration, noise increases	Check if the hanging is strong enough	Hang the range hood firmly
	The connecting pieces of the fixed screws are loose	Tighten the screws
	Volute standing fixed screws are loose	Tighten the screws
	Motor fixed screws are loose	Tighten the screws
	Impeller instalation is not in place	Install in place
	Impeller is damaged and balance piece is lost	Change the impeler
Poor suction	Too much oil on fitter	Clean the filter
	The air convection in the kitchen is too big or space sealing is too tight	Reduce air convection, open doors and windows moderately
	Higher instalation height	Adjust to appropriate height
	Exhaust pipe is too long or too many circles	Insial according to the manual
	Outdoor wind is too strong	Non technical faults

Service



www.blaupunkt-einbaugeraete.com

India

 **1800 209 2096**