

Built-in oven



5B10S0040

EG012100



Additional accessories available

Universal pan (grey)

5Z10CB10E0

EG01202

Multi-use wire shelf

5Z10CR10E0

EG01203

Vario-Clip

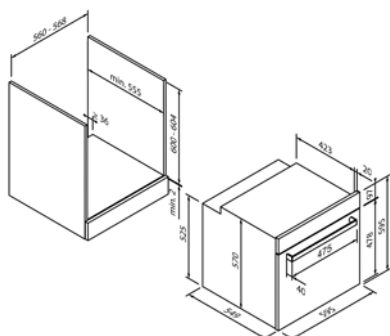
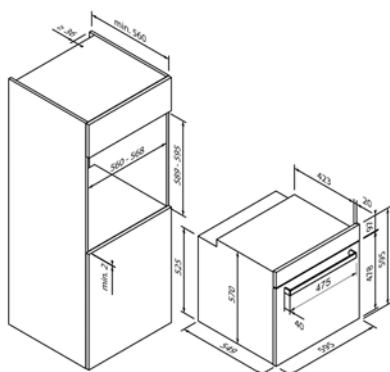
5Z10VC10E0

EG01204

Enamelled baking tray

5Z10BE10E0

EG01201



Design	
Colour	Stainless steel

Operating modes & functions	
Number of heating types	8
Top / bottom heat	•/•
Hot air / Hot air Eco	•/-
Circulation	•
Circulation grill	•
Large area grill	•
Small area grill	-
Pizza level	•
Defrosting	•
Quick heating	-
Combination functions	-

Operating comfort & equipment	
Operation	Control knob
Display / Colour	-
Door damping	-
Temperature recommendation	-
Temperature recommendation	-
Child lock	-
Cleaning	-
Water tank volume (in litres)	-
Cooking chamber capacity (in litres)	71

Accessories included**	
Accessories included**	Multi-use wire shelf, Grease pan

Technical data	
Energy efficiency class	A
Connected load	2,75kW/220 - 240 V
Fuse protection (in A)	13 A
Frequency (in Hz)	50-60 Hz
Plug type	Type F
Length of connection cable (in cm)	100 cm
Net weight (in KG)	27,1 kg
Gross weight (in KG)	28,4 kg
Dimensions of the packaged appliance (H x W x D)	67,0 x 64,0 x 65,0 cm
Appliance dimensions (H x W x D)	59,5 x 59,5 x 57,0 cm
Installation dimensions (H x W x D)	59,0 x 56,0 x 56,0 cm
EAN	4251003108736

Note	
Note	